



MODELS **750AR-L**
750SM-L

4,500 lbs
of hard
cracked ice
in 24 hrs
(2,041 Kg)

Arctic-Temp® is the developer and leading producer of VERTICAL TUBE INDUSTRIAL ICE MACHINES. We provide a straight-forward, uncomplicated design that provides maximum ice production while using less electricity than other ice machines in this capacity range.

- » **Highly efficient Copeland® Discus Compressor**
- » **Double Walled Vertical Tube Evaporators For Maximum Production**
- » **Hot Gas Defrost for rapid harvest and quick recovery**
- » **All Stainless Steel Welded Construction**
- » **No moving parts in the freezing zone**
- » **Harvest Hold (PHC) for definite defrost in varying temperature**



Shown with EZ lift panels removed

- » **R-404A Refrigerant**
- » **Factory assembled, fully charged & tested**
- » **Suitable for Outdoor Use**
- » **USDA Approved**



Condensing Unit

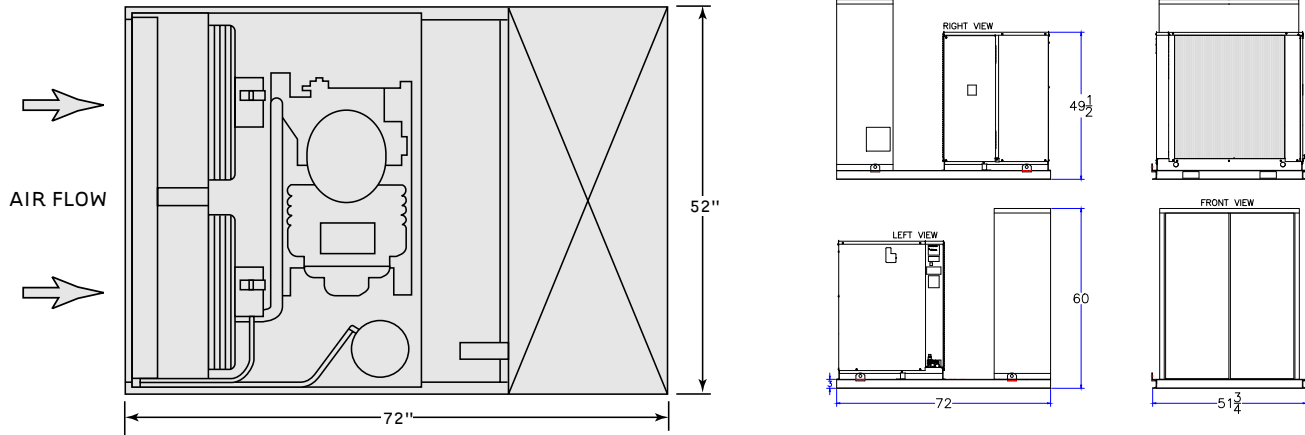
» **PLEASE REFER TO OUR GENERAL CATALOG FOR ADDITIONAL INFORMATION AND SPECIFICATIONS ON ARCTIC-TEMP® ICE MAKERS**

QUALITY INDUSTRIAL ICE MACHINES SINCE 1959

Manufactured by HOLIDAY ICE, INC. • 204 Short Avenue • Longwood, FL 32750-5130
Phone (407) 831-2077 • FAX (407) 834-3359 • www.arctic-temp.com

Arctic-Temp® is a Registered Trademark of Holiday Ice, Inc. © Copyright 2020 by Holiday Ice, Inc. All Rights Reserved.

**ARCTIC-TEMP® MODEL 750 SM-L
SKID MOUNTED UNIT**



SPECIFICATIONS

ARCTIC-TEMP® MODEL 750AR-L

ICE PRODUCTION (LBS.) in 24 Hours	4,500
COMPRESSOR HORSEPOWER	7-1/2
ELECTRICAL V/HZ/PH	208/230-3-60 200/220-3-50
METHOD OF CONDENSING	AIR REMOTE
DIMENSIONS JACKETED	HEIGHT 57" WIDTH 47" DEPTH 19"
CONDENSING UNIT DIMENSIONS	LENGTH 49" WIDTH 35" HEIGHT 47"
REFRIGERANT CHARGE	25 LBS.
APPROX. UNCRATED MACHINE WEIGHT (LBS.)	EVAP 385 LBS.
	COND 580 LBS.
CRATED	EVAP 440 LBS.
	COND 630 LBS.
WATER CONSUMPTION (GAL./24 HRS.)	542

ARCTIC-TEMP® MODEL 750SM-L

In certain applications where roof mounting or custom bunker mounting is desired, it may be economical to Skid Mount the highside and lowside components on a common base in order to obtain a PACKAGED ICE MACHINE.

ALL PACKAGED ICE MACHINES are fully assembled and thoroughly tested prior to shipping.

Holiday Ice can perform your custom work to make the installation easier, future service more convenient, and reduce the installation costs.

**ADDITIONAL SPECIFICATIONS FOR SKID
MOUNTING:**

BASE DIMENSIONS	LENGTH WIDTH HEIGHT	72" 52" 60"
APPROX. WEIGHT (LBS.)		1,100

